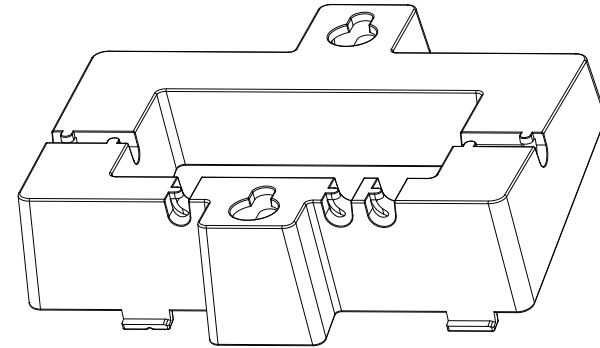


Grandstream Networks, Inc.

126 Brookline Ave, 3rd Floor
Boston, MA 02215. USA
Tel : +1 (617) 566 - 9300
Fax: +1 (617) 249 - 1987

www.grandstream.com



GRP_WM_A
GRP260x IP Phones Series
Wall Mount Bracket

Quick Installation Guide



For Certification, Warranty and RMA information, please
visit www.grandstream.com

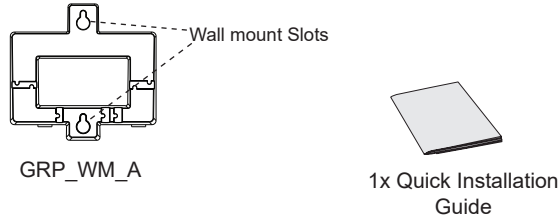
Model	Compatible GRP260x phones
GRP_WM_A	GRP2601, GRP2602, GRP2603, GRP2604

EN OVERVIEW

This guide provides instructions for mounting your GRP260x series phone to the wall. Provided instructions apply to all GRP260x series models and GRP_WM_A bracket model.

Note: The wall mount bracket is sold separately (not included in GRP260x series phone package).

PACKAGE CONTENTS

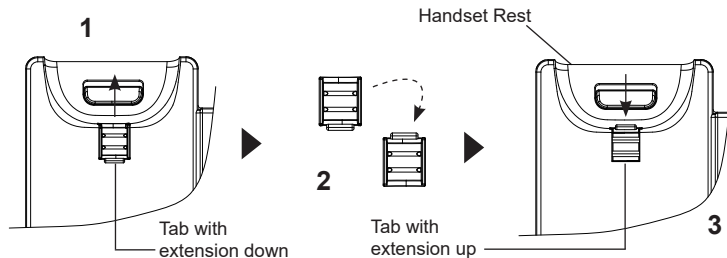


Note: Screws and anchors required for wall mount installation are not included in this package.

ADJUSTING HOOKSWITCH TAB

Make sure to adjust the hookswitch tab position up to hold the handset while the phone is mounted on the wall (tab with extension down is recommended for desktop usage).

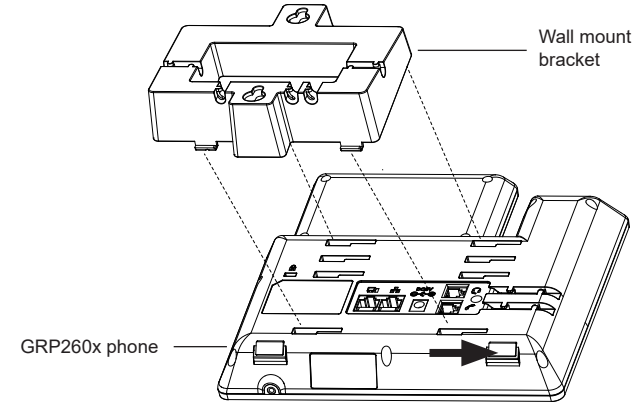
1. Pull out the tab from the handset cradle.
2. Rotate the tab to extension up.
3. Plug it back into the slot with the extension up.



~1~

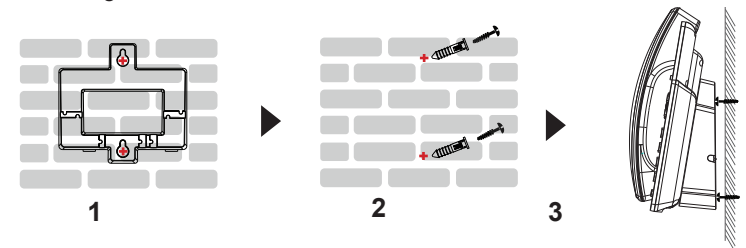
INSTALLING WALL MOUNT BRACKET

1. Put the wall mount's ribs into the unit's groove.
2. Press this position and install the wall mount.
3. The wall mount is installed completely.



MOUNTING THE PHONE TO THE WALL

1. Use the wall mount bracket to mark two vertical dots using "wall mount slots" on the wall where the phone will be installed.
2. Using a drill, make a hole on each marked dot. Put a plastic anchor and screw (not provided) on each hole. Leave enough space to attach the wall mount bracket to the wall.
3. Mount the GRP260x phone with wall mount bracket attached to the wall using wall mount slots.



~2~